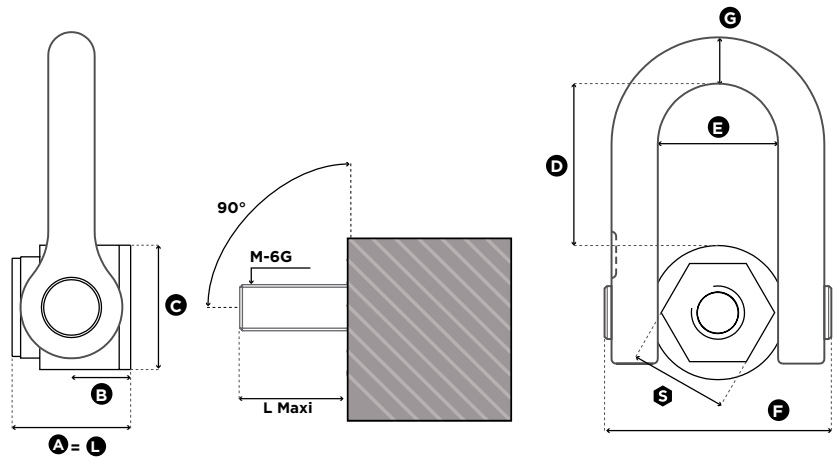


STAINLESS STEEL FEMALE DOUBLE SWIVEL SHACKLE



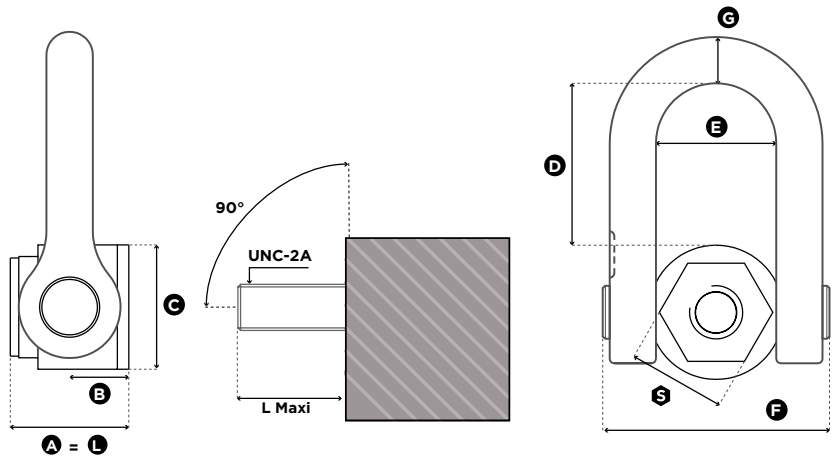
1 in = 25.4 mm

Reference	Diameter	SF 5:1 WLL (t)	SF 4:1 WLL (t)	L Maxi (mm)	Torque (Nm)	S (mm)	A (mm)	B (mm)	C (mm)	D (mm)	E (mm)	F (mm)	G (mm)	Weight	
														(kg)	(lbs)
SS.FE.DSS M 24	M 24 (x3)	2,70	2,70	66	160	50	66	31	70	98	73	149	30	5,8	12,79
SS.FE.DSS M 30	M 30 (x3,5)	3,50	3,50	66	250	50	66	31	70	98	73	149	30	5,8	12,79
SS.FE.DSS M 33	M 33 (x3,5)	3,50	3,50	66	250	50	66	31	70	98	73	149	30	5,8	12,79
SS.FE.DSS M 36	M 36 (x4)	5,00	5,00	66	320	50	66	31	70	98	73	149	30	5,8	12,79

SS.FE.DSS

STAINLESS STEEL FEMALE DOUBLE SWIVEL SHACKLE

UNC THREADS



1 in = 25.4 mm

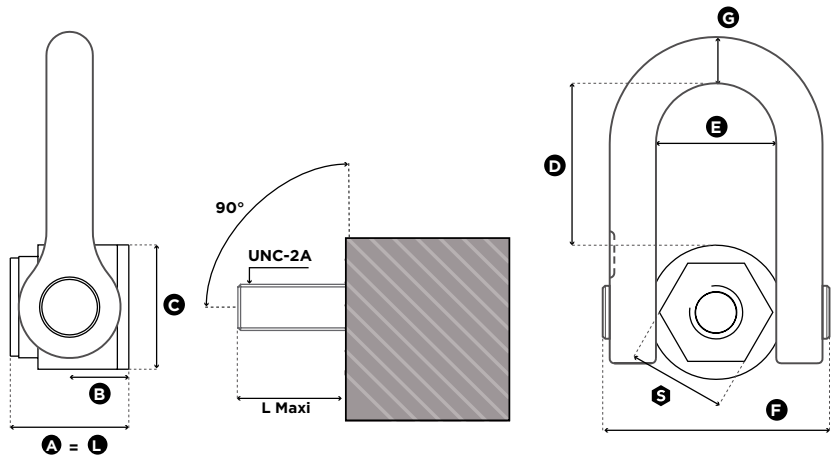
Reference	Diameter	SF 5:1 WLL (lbs)	SF 4:1 WLL (lbs)	L Maxi (mm)	Torque (ft-lb)	S (mm)	A (mm)	B (mm)	C (mm)	D (mm)	E (mm)	F (mm)	G (mm)	Weight	
														(kg)	(lbs)
SS.FE.DSS U 100	UNC 1"-8	6,000	6,000	66	125	50	66	31	70	98	73	149	30	5,4	11.90
SS.FE.DSS U 125	UNC 1" 1/4-7	7,500	7,500	66	200	50	66	31	70	98	73	149	30	5,4	11.90
SS.FE.DSS U 138	UNC 1" 3/8-6	7,500	7,500	66	240	50	66	31	70	98	73	149	30	5,4	11.90
SS.FE.DSS U 150	UNC 1" 1/2-6	11,000	11,000	89	240	60	89	38	95	123	91	182	41	12	26.46

02.2024

SS.FE.DSS

STAINLESS STEEL FEMALE DOUBLE SWIVEL SHACKLE

UNC THREADS (INCH)



1 in = 25.4 mm

Reference	Diameter	SF 5:1 WLL (lbs)	SF 4:1 WLL (lbs)	L Maxi (inch)	Torque (ft-lb)	S (inch)	A (inch)	B (inch)	C (inch)	D (inch)	E (inch)	F (inch)	G (inch)	Weight	
														(kg)	(lbs)
SS.FE.DSS U 100	UNC 1"-8	6,000	6,000	2.60	125	1.97	2.60	1.22	2.76	3.86	2.87	5.87	1.18	5,4	11.90
SS.FE.DSS U 125	UNC 1" 1/4-7	7,500	7,500	2.60	200	1.97	2.60	1.22	2.76	3.86	2.87	5.87	1.18	5,4	11.90
SS.FE.DSS U 138	UNC 1" 3/8-6	7,500	7,500	2.60	240	1.97	2.60	1.22	2.76	3.86	2.87	5.87	1.18	5,4	11.90
SS.FE.DSS U 150	UNC 1" 1/2-6	11,000	11,000	3.50	240	2.36	3.50	1.50	3.74	4.84	3.58	7.17	1.61	12	26.46

02.2024